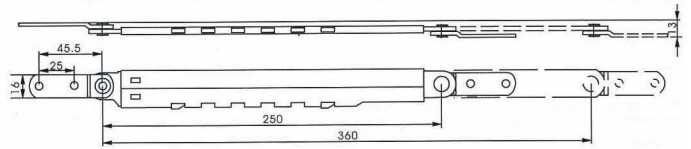
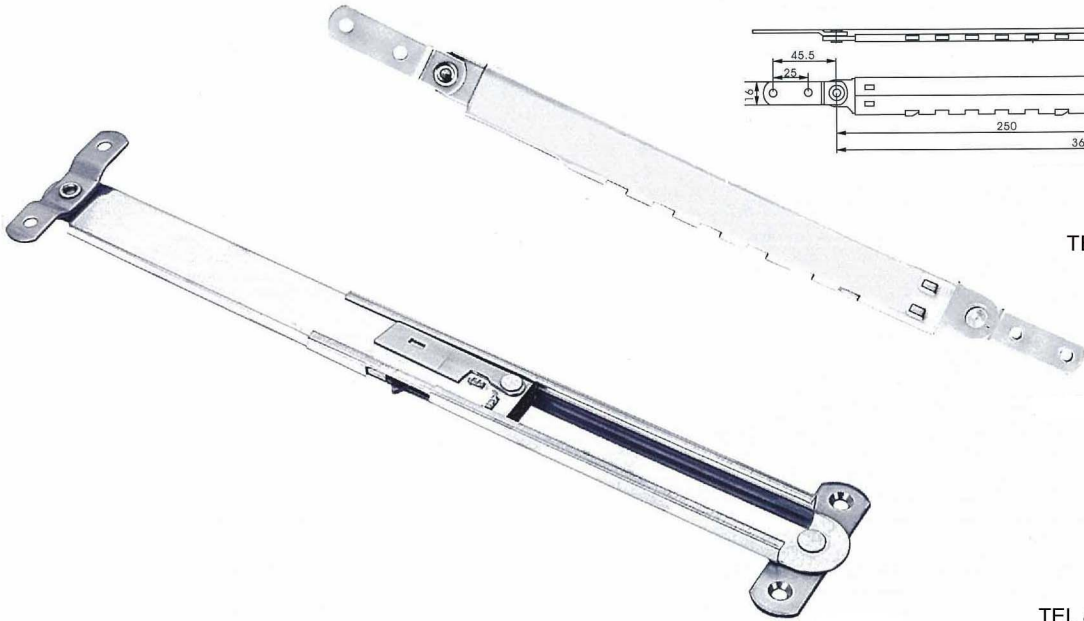
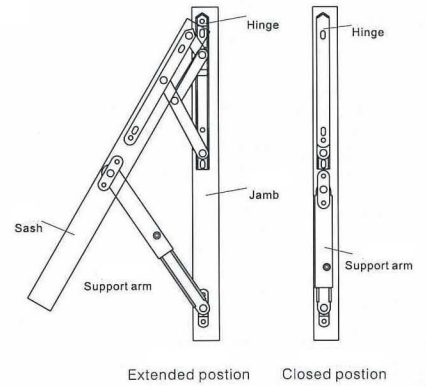


TELESCOPIC SUPPORT ARM

- © Manufactured from high grade Austenitic Stainless Steel
- © Tel series used on top hung windows to limit the opening. The vent can be locked open at a desired position for ventilation and to prevent sudden closing during wind gusts. To unlock the support arms from its opening position, simply lift the sash slightly then close.
- © TELK-14" is suitable for Top Hung windows, it allows 5 different restriction points.



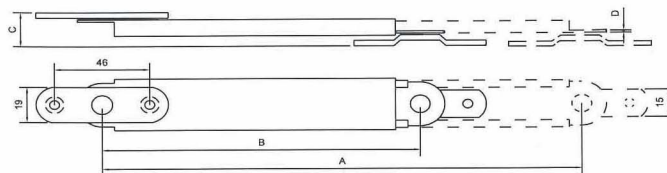
TELK-14"

TEL & TEL-A SERIES

Technical Data

SIZE	A	B	C	D
TEL-8"	203	155	16	1.0
TEL-10"	253	180	16	1.0
TEL-12"	305	205	16	1.0
TEL-14"	354	230	16	1.0
TEL-16"	408	257	16	1.0
TEL-20"	514	310	16	1.0

SIZE	A	B	C	D
TEL-8"A	203	155	16.5	1.2
TEL-10"A	253	180	16.5	1.2
TEL-12"A	305	205	16.5	1.2
TEL-14"A	354	230	16.5	1.2
TEL-16"A	408	257	16.5	1.2
TEL-20"A	514	310	16.5	1.2



TEL & TEL-A SERIES