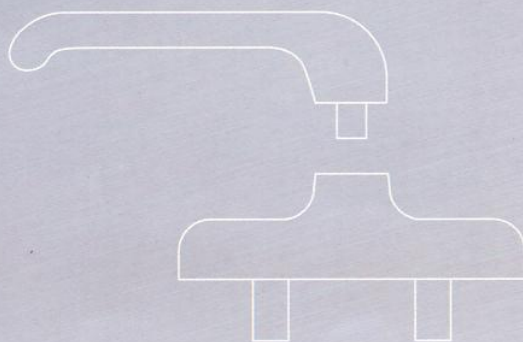




**Cotswold**  
Architectural Products

# Multi-point system for aluminium windows

To suit all your opening aluminium casement needs whether inward or outward opening. Quality die cast handles fixed or lever operated (removable) ensure mechanical locking in each fixing position through 90° rotation of the handle. The deployment of stainless steel drive die cast corner transmission operators allow locking along 3 sides of the casement. Aluminium extruded drive bars fitted with die-cast mazak adjustable locking pins lock behind adjustable keeps effect weathertight fastening of the window into the frame.



# MULTI-POINT LOCKING SYSTEM FOR OUTWARD OPENING ALUMINIUM WINDOWS

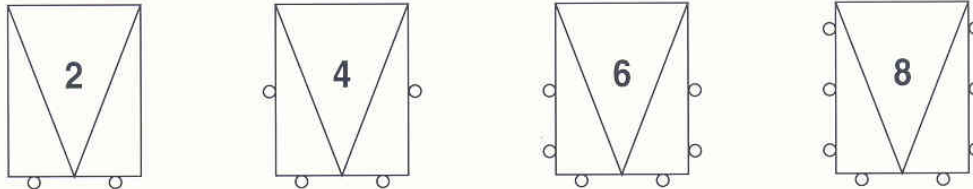
Calculation of number of locking points:-

$$Q = \frac{H \times W \times P}{200}$$

When: Q = Pin Quantity H=Height of Window(m) W=Width of Window (m) P=Pressure (kg/m<sup>2</sup>)

Example: Window 2m high and 1.5m wide

Pressure: 360 kg/m<sup>2</sup>



Closing points that can be achieved with multi-point locking system.

$$Q = \frac{2.0 \times 1.5 \times 360}{200} = 5.4 \text{ (6 pins)}$$

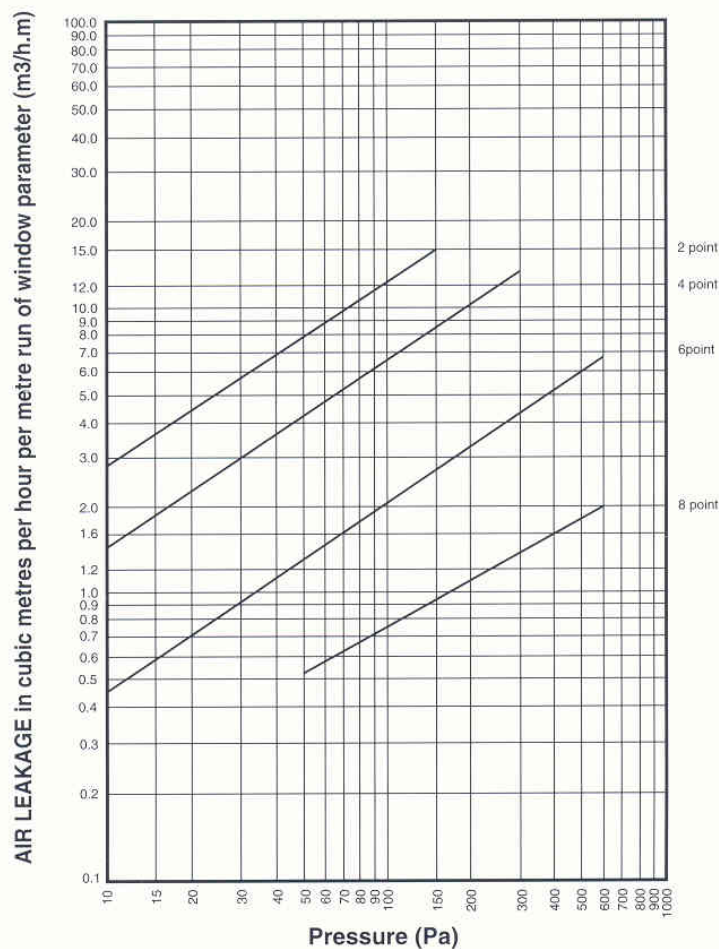
These tests to be performed by the window fabricator to determine the final figures.

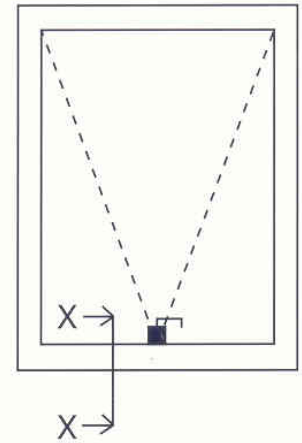
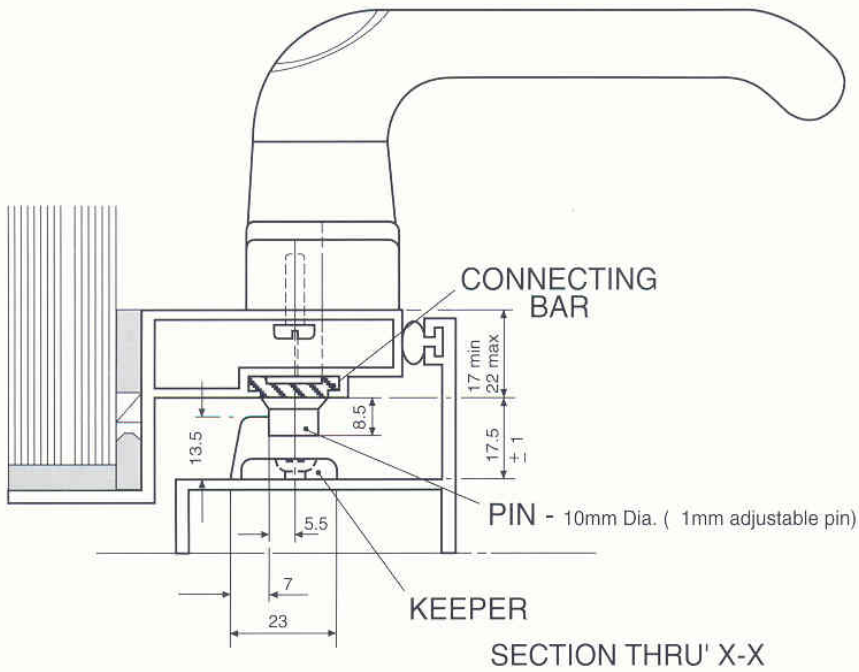
Actual test recorded for this system is 7,700 pascals.

Recommendation that the maximum spacing between 2 pins should not exceed 750 mm

In the event of any queries, please refer to the manufacturers representative.

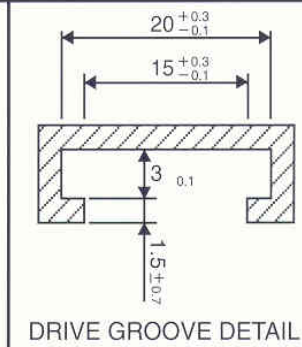
## AIR PERMEABILITY DIAGRAM



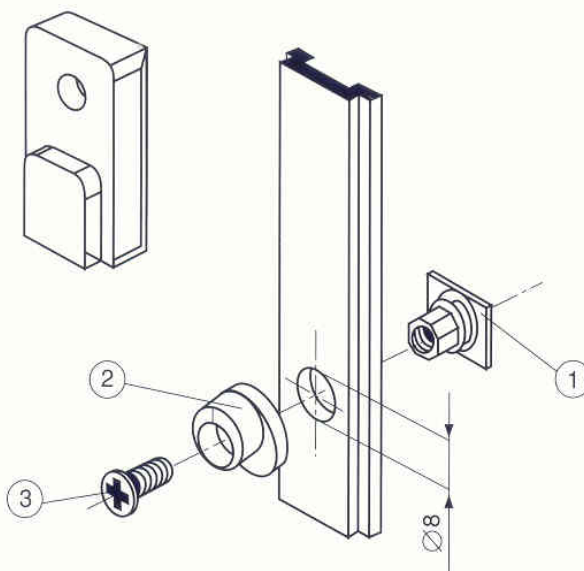
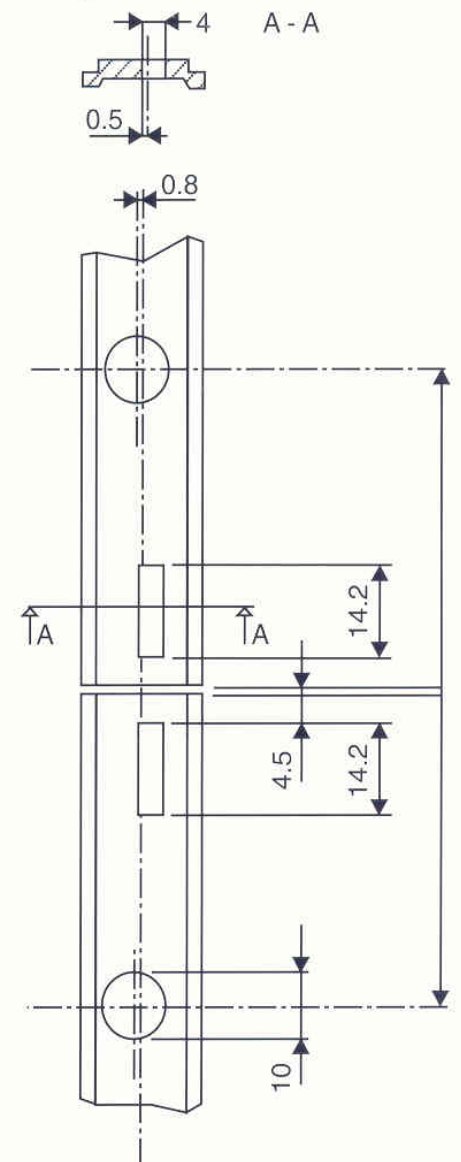


### FITTING INSTRUCTIONS ADJUSTABLE LOCKING PIN

- 1) Using a normal punching machine, make a hole with a diameter of 8mm in the centerline of the rod, in line with the closing plate.
- 2) Fix the STRIKER-PLATE (1) pushing in through the hole in the rod (see figure).
- 3) Insert the locking pin (2) on the hexagonal pin of the STRIKER-PLATE, select the appropriate position depending on the handle turning requirements, adjust to the eccentric profile of the pin (see figure).
- 4) Lock everything with a screw (3) to hold the pin firmly on the rod (see figure).



### Machining instruction for handle fitting to flat bar drive



Please note that all handles operate on a 2 tongue concentric drive. This eliminates the excess forces and window distortion and subsequent strain on the friction stays caused by crabbing of single drive handles.



Tins Enterprise Centre,



China United Plaza

COTSWOLD Multi-point locking systems are recommended to be used with 'Cotswold' stainless steel friction stays, which conform to BS standard and, comes with a 10 year product guarantee. For high performance windows choose Cotswold – "Quality Glazing Products".

#### COTSWOLD ARCHITECTURAL PRODUCTS LTD

Manor Park Industrial Estate

Manor Road, Cheltenham

Gloucestershire GL51 9SQ

England

Tel : ++44 01242 233993 / 234466

Fax: ++44 01242 221146

[www.cotswold-windows.co.uk](http://www.cotswold-windows.co.uk)

Due to our policy of continuous development, we reserve the right to amend specifications without prior notice.