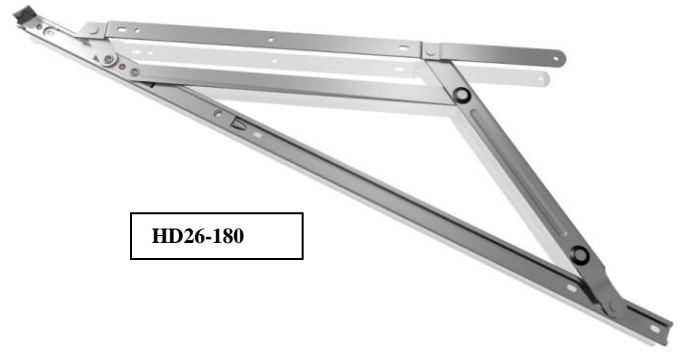


HD22SB



HD26-180

## HD22SB, HD26-180 & HD28 HEAVY DUTY SELF-BALANCING STAYS FOR COMMERCIAL APPLICATIONS.

Heavy-duty self-balancing handed friction stay for enhanced performance with top hung timber, Upvc and large section aluminium.

- Carries commercial vents up to 2.5m height and 180kg in weight.
- Easy to fit with adjustable friction mechanism.
- Smooth and balanced operation for life – windows open and close with ease.
- Effective weather sealing and draught proofing fully concealed once fitted.
- Manufactured from high-grade Austenitic stainless steel for maximum longevity. Even in the most corrosive environments.
- Austenitic stainless steel cap for added strength.
- Self-balancing stay eliminates the need for additional support arms.
- Composite steel /plastic slider for strength, durability and smooth operation.
- The Heavy Duty range has been proven to a lifetime 50,000 cycles.
- Conforms to all leading international window performance standards in the UK (BS6375 Part 2 1987), North America (AAMA 904.1), France (NFP-20-302) and Singapore (SS 212 1998).

PRODUCT	SIZE INS	SIZE MM	WINDOW SIZE APPROX HEIGHT MM	WINDOW WEIGHT APPROX KG	STACK HEIGHT MM	OPENING ANGLE
HD22SB	22.3	567	1500	100Kg @ 20° & 80Kg @ 40°	16	20 & 40 DEG
HD26-180	27.1	689	2500	180KG	16	20 DEG
HD28	27.8	707	2200	100KG	16	15 DEG

IT IS THE RESPONSIBILITY OF THE WINDOW MANUFACTURER TO ENSURE THAT THE FINISHED WINDOW MEET ANY REQUIRED SAFETY AND PERFORMANCE SPECIFICATIONS